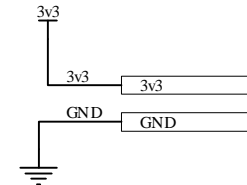
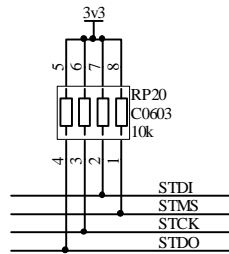
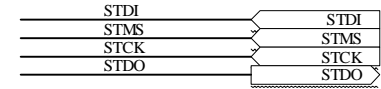
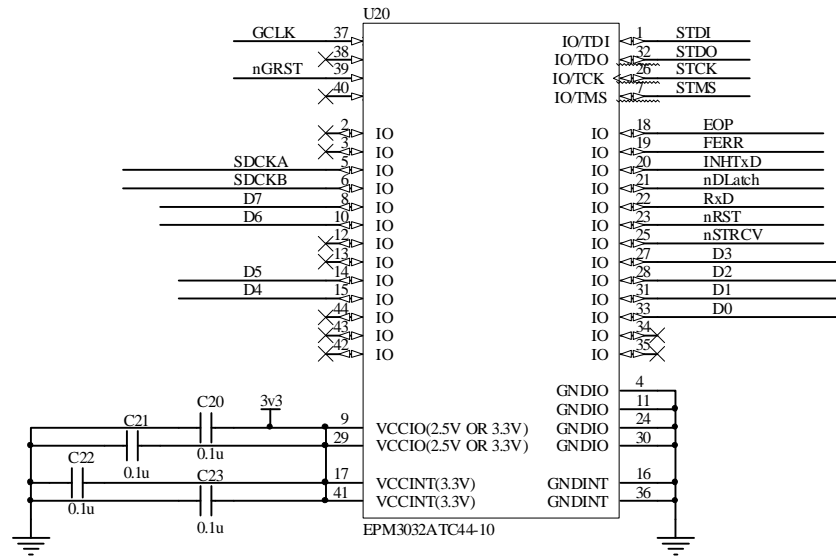
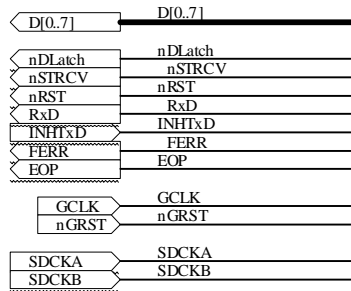
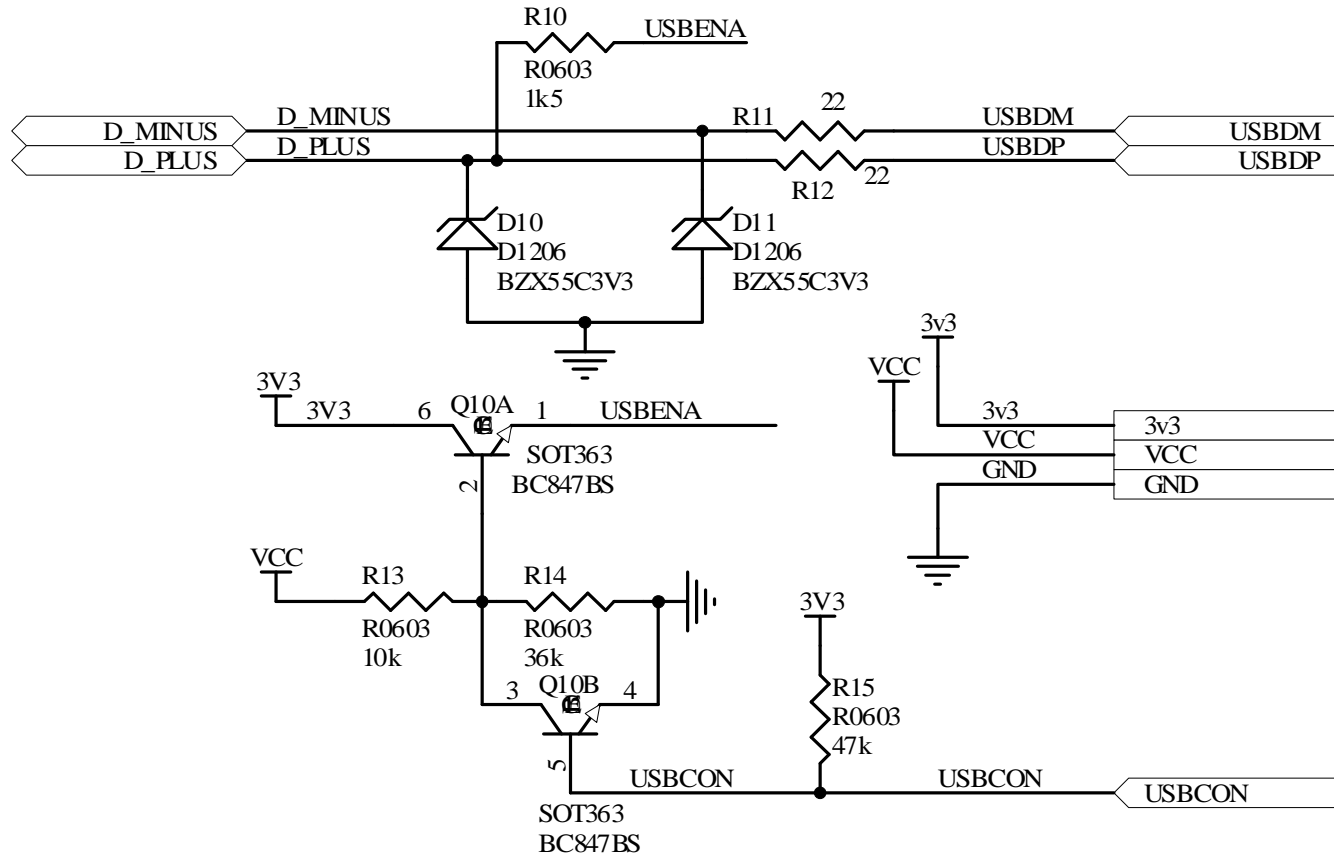


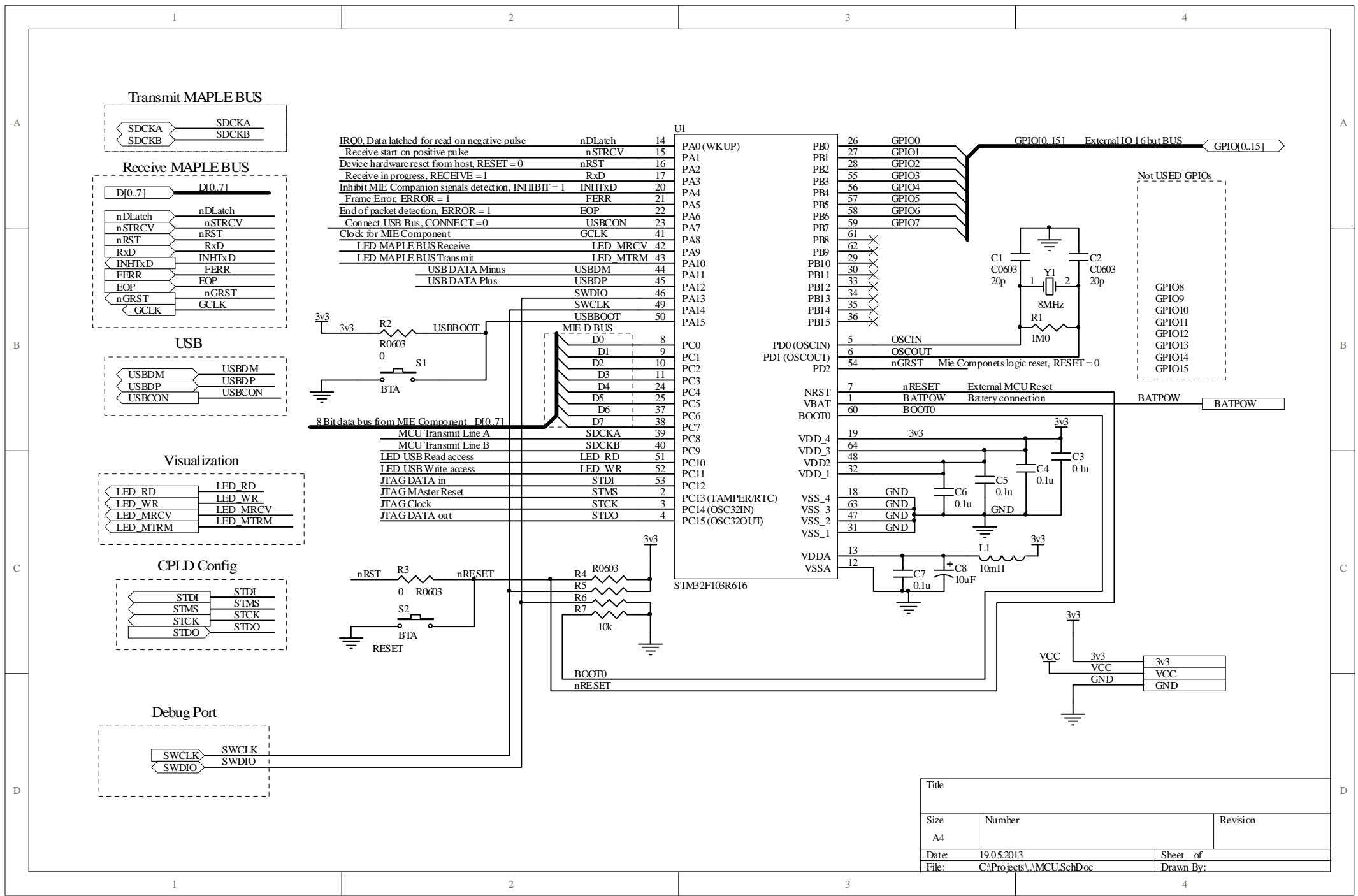
Title		
Size	Number	Revision
A4		
Date:	19.05.2013	Sheet of
File:	C:\Projects\...\OnMAPLES-EB.SchDoc	Drawn By:



Title		
Size A4	Number	Revision
Date: 19.05.2013	Sheet of	
File: C:\Projects\...\XMAPLE.SchDoc	Drawn By:	

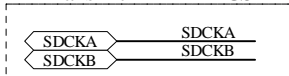


Title		
Size	Number	Revision
A4		
Date:	19.05.2013	Sheet of
File:	C:\Projects\.\USB.SchDoc	Drawn By.

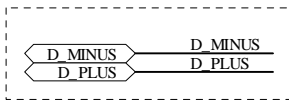


Title		
Size	Number	Revision
A4		
Date:	19.05.2013	Sheet of
File:	C:\Projects\1_MCU\SchDoc	Drawn By:

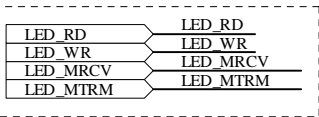
Transmit MAPLE BUS



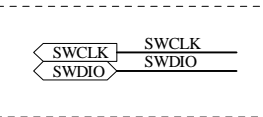
USB



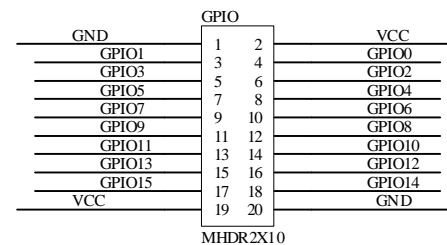
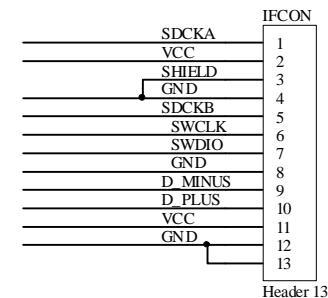
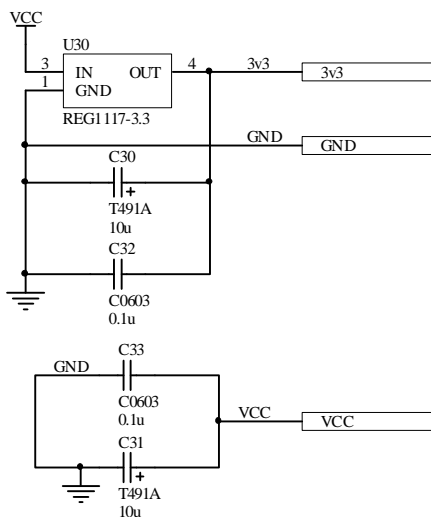
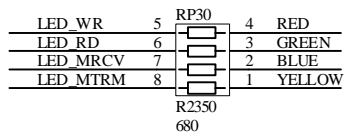
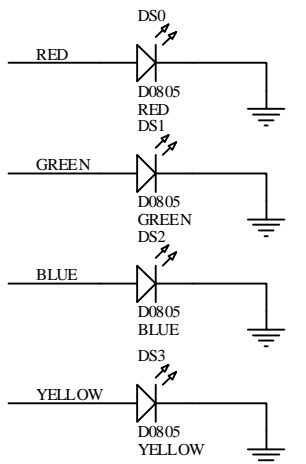
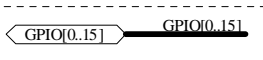
Visualization



Debug Port



External GPIO



Title		
Size A4	Number	Revision
Date: 19.05.2013	Sheet of	
File: C:\Projects\PORTS.SchDoc	Drawn By:	